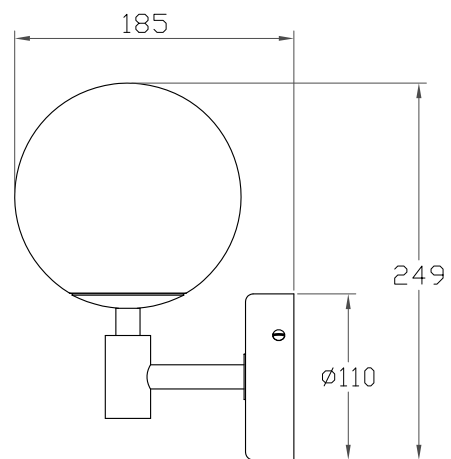
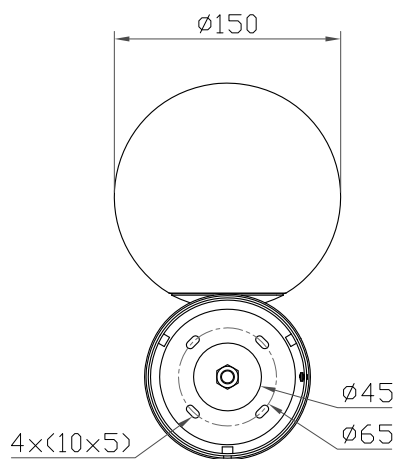
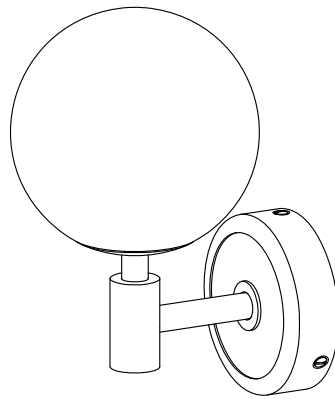


# — CHELSOM —

EST. 1947



**LN/34/W1**

Revision A

# — CHELSOM —

EST. 1947

FOLLOW THE NUMBERED ASSEMBLY SEQUENCE

