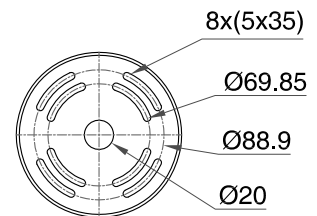
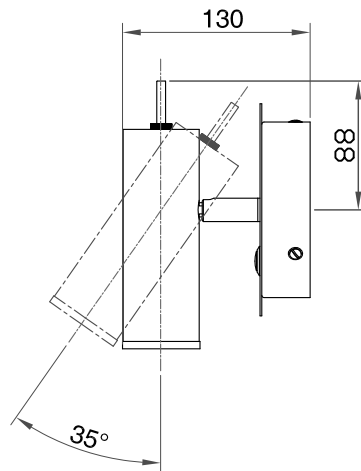
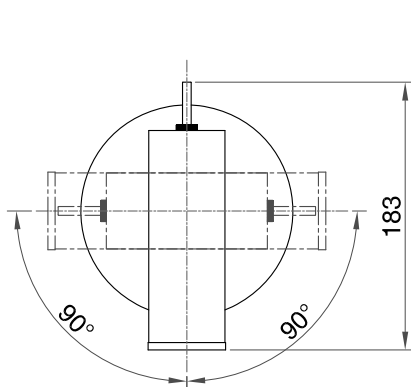
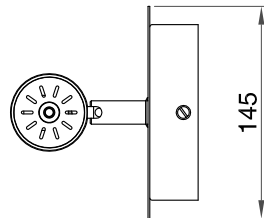
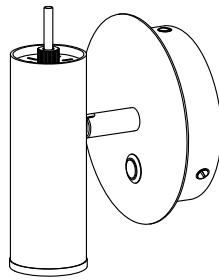


# — CHELSOM —

EST. 1947

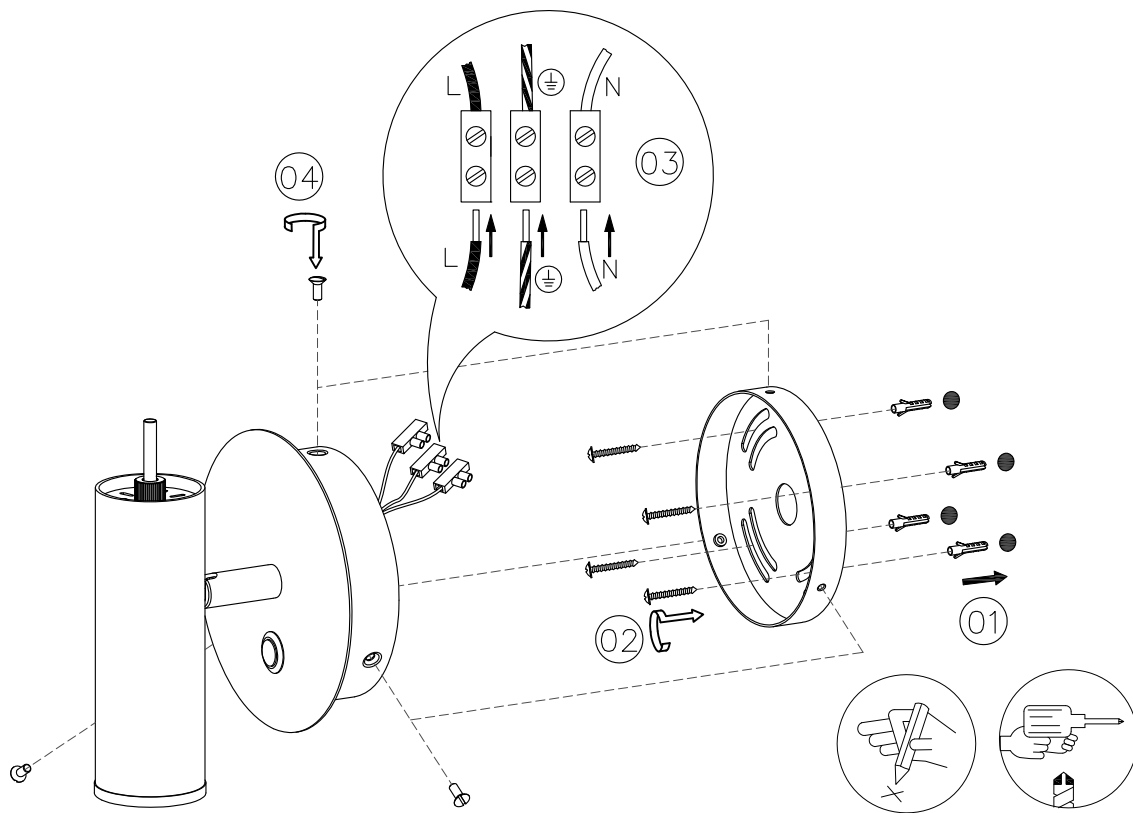


**TT/200/W1**

# — CHELSOM —

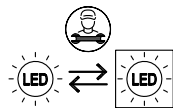
EST. 1947

FOLLOW THE NUMBERED ASSEMBLY SEQUENCE

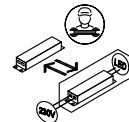


## SLR Information

This product contains a light source of Energy Efficiency Class E Regulation 2021 No. 1095



LED light source replaceable by qualified person



Control gear replaceable by qualified person

[www.chelsom.co.uk](http://www.chelsom.co.uk)