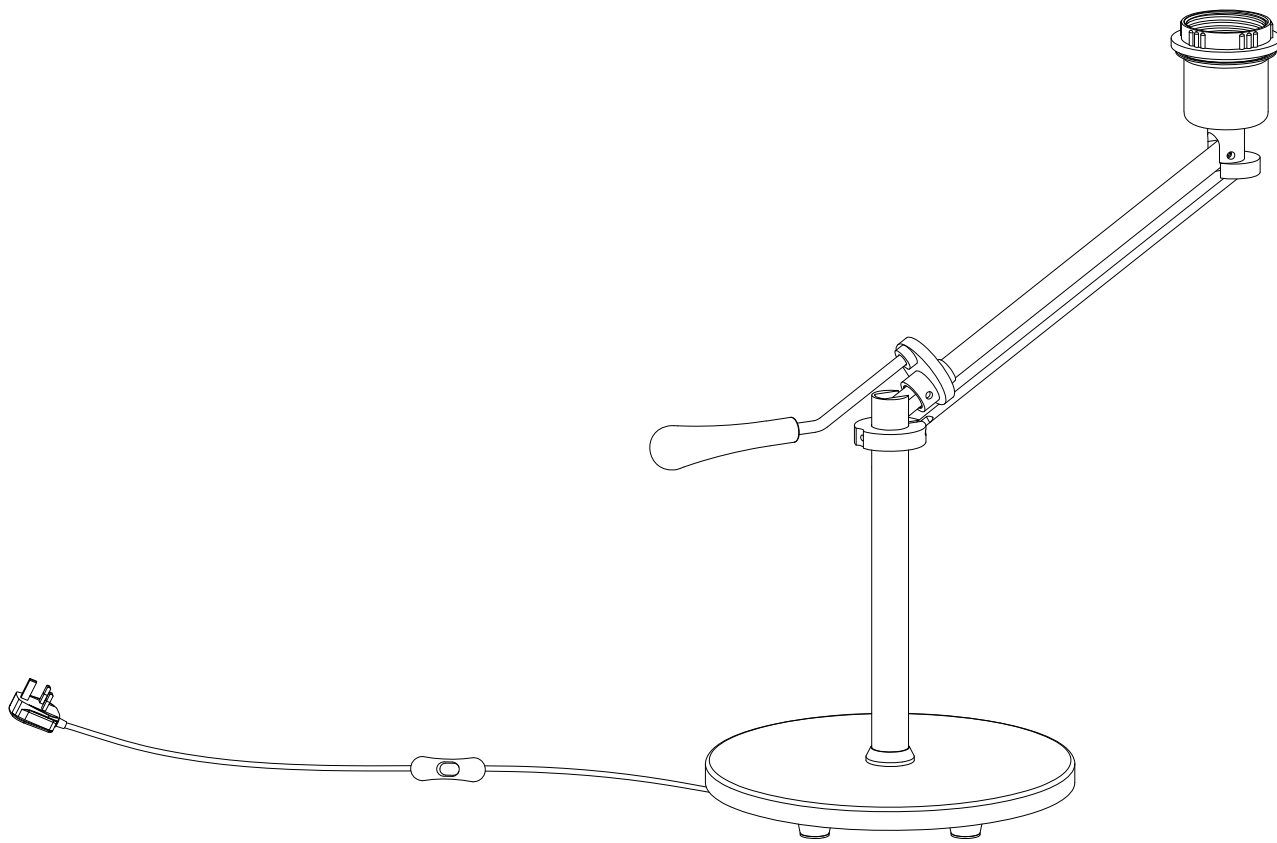


— CHELSOM —

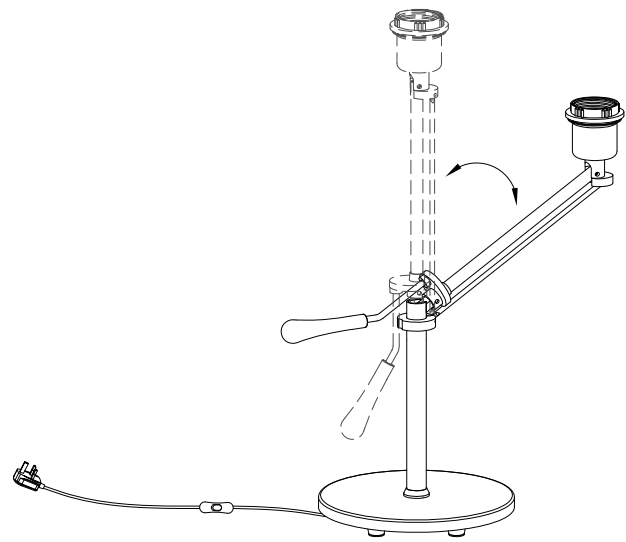
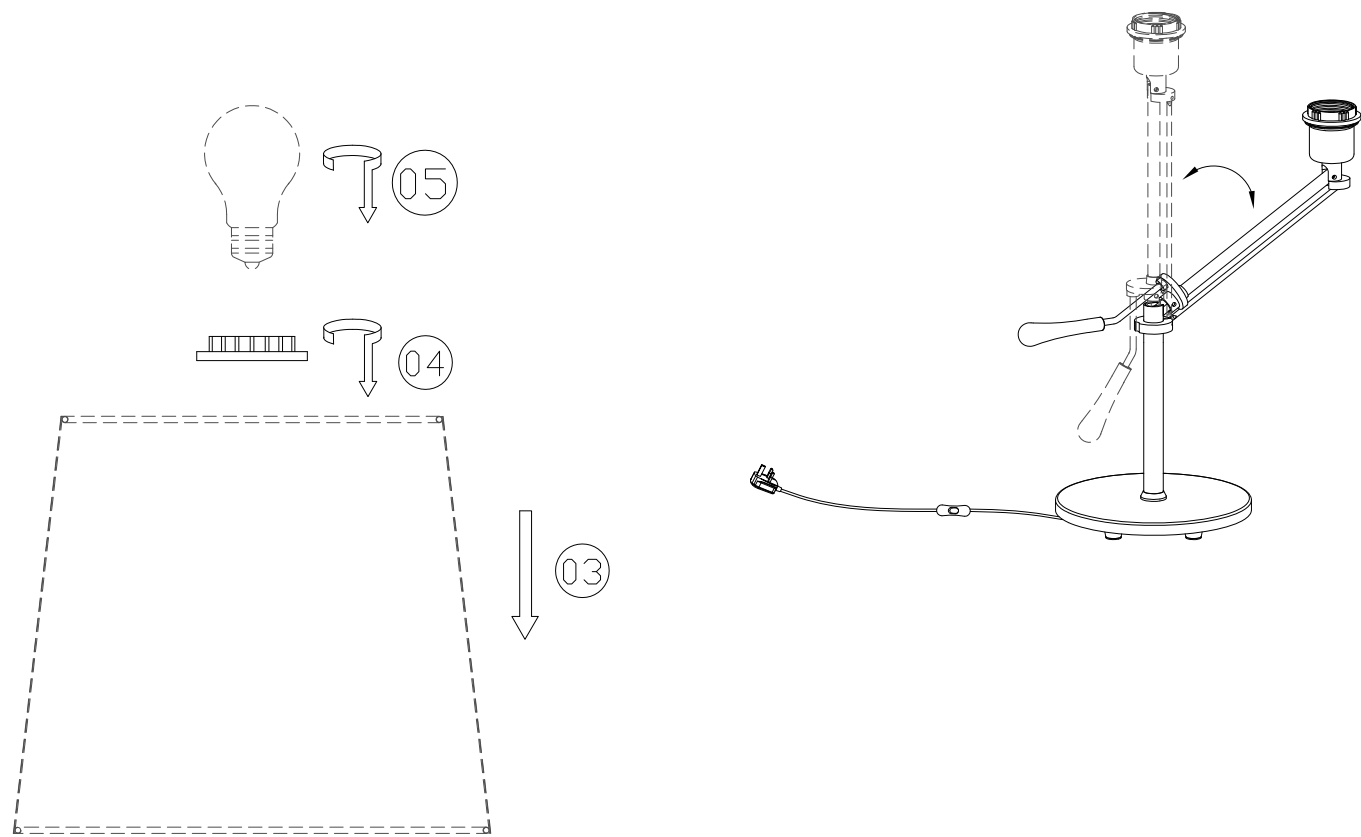
EST. 1947



— CHELSOM —

EST. 1947

FOLLOW THE NUMBERED ASSEMBLY SEQUENCE



NOTE:

- 01 First rotate the tube 5 times in an anticlockwise direction before tightening the screw
- 02 Then, fix the tube by screwing in a clockwise direction in order to avoid damaging the cable when tightening the tube

